

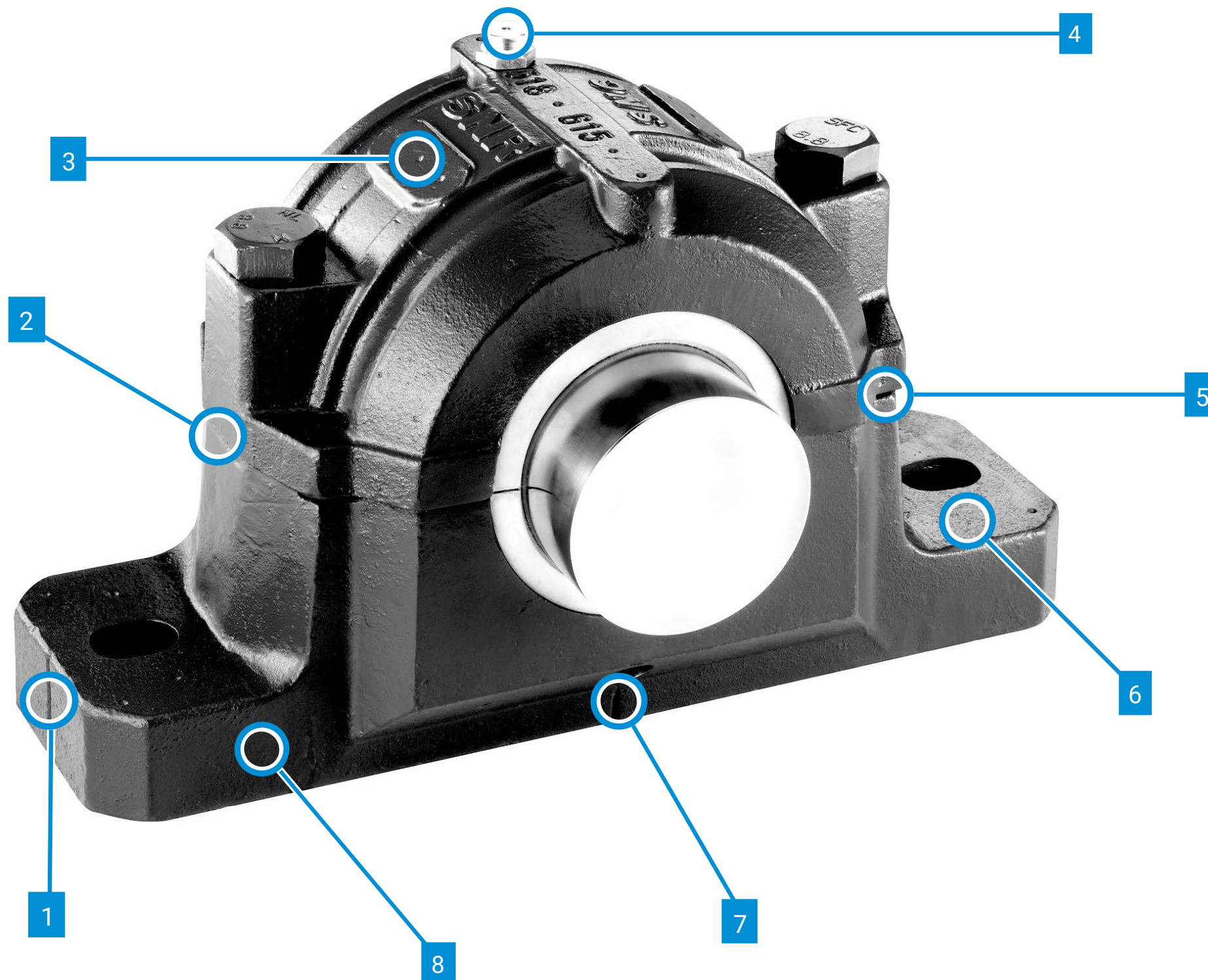


SNC Plummer Blocks



CAT. No. A-2301

Heavy loads and performance bearings require superior support.



The Better Option

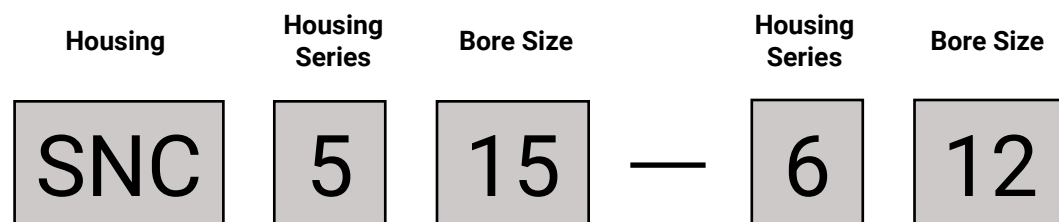
Less downtime.
More profitability.

NTN SNC pillow block housings have been designed to provide superior performance in a variety of demanding applications. Optimized to ensure premium bearings operate to their full potential, these split housings offer flexibility for the designer and improved reliability for the maintenance professional.

Product Features & Benefits

- 1 Alignment markings for quick and easy alignment on the mounting surface
- 2 Serialized cap and base eliminate risk of mismatching components during installation
- 3 Integrated flat spots for vibration and temperature monitoring
- 4 Two threaded lubrication holes on all housings for mounting NTN single point lubricators
- 5 Drain edge prevents the penetration of moisture at the split line of the upper and lower sections
- 6 Marking for alternative mounting holes when cast in mounted holes cannot be used
- 7 Grease drain hole found on all SNC housings for easy relief of excess grease or general maintenance
- 8 Cast iron housing to withstand the most demanding applications

SNC Plummer Block Nomenclature System



1. HOUSING

SNC: Split pillow block, cast iron housing (metric bore shaft)

2. HOUSING SERIES

- 2: 200 Series
Bearing housing for bearings with cylindrical bore from series 1200, 2200, 22200 and 23200.
Shaft diameter: 25 mm – 160 mm
- 5: 500 Series
Bearing housing for bearings with tapered bore from series 1200K, 2200K, 22200K and 23200K.
Shaft diameter: 20 mm – 140 mm
- 3: 300 Series*
Bearing housing for bearings with cylindrical bore from series 1300, 2300, 21300 and 22300
- 6: 600 Series*
Bearing housing for bearings with tapered bore from series 1300K, 2300K, 21300K and 22300K.
Shaft diameter: 20 mm – 90 mm

* 300 & 600 are available but not included in this catalog. Availability is limited. Please consult with NTN customer relations.

Note: All SNC housings can be used as fixed bearings by using fixing rings. Fixing rings must be ordered separately. Two fixing rings are required per housing. Corresponding sizes can be found in the dimensions table.

How to Order SNC Examples

Example 1

Pillow block housing for a bore size 65 mm with a tapered bore roller bearing configuration:

1 Pillow Block	SNC515-612
2 Fixing Rings	FR130X12.5
1 Spherical Roller Bearing	22215EAKW33C3
1 Adapter Assembly	H315
1 Double-Lip Seal	SC515DS
1 End Cover*	SC515-612EC

* If end cover is not required, order 2 double-lip seals.

Example 2

Pillow block housing for a bore size 90 mm with a cylindrical bore roller bearing configuration:

1 Pillow Block	SNC218-315
2 Fixing Rings	FR160X12.5
1 Spherical Roller Bearing	22218EAW33C3
2 Felt Seals	SC218FS
1 End Cover	SC218-315EC

* If optional end cover is ordered, only 1 seal is require rather than 2 seals. The end cover replaces 1 seal.

Example 3

Pillow block housing for a bore size 45 mm with a tapered bore ball bearing configuration:

1 Pillow Block	SNC510-608
1 Fixing Rings	FR90X10.5
1 Ball Bearing	1210KC3
1 Adapter Assembly	H210
2 Double-Lip Seals	SC510DS
1 End Cover	SC510-608EC






* If optional end cover is ordered, only 1 seal is require rather than 2 seals. The end cover replaces 1 seal.

Seal Selection

There are a wide variety of sealing options for the housing due to the large number of potential applications. The correct choice of sealing system depends on several factors. Please consult NTN Engineering if you have questions about which sealing option is best for your application.

Sealing options

A variety of sealing options is available, adapted to your application

				
SC..DS Double lip seal <small>allround use</small>	SC..FS Felt strip seal <small>high rotation speed</small>	SC..SV V-Ring seal <small>low friction</small>	SC..LA Labyrinth seal <small>high temperatures</small>	SC..TA Taconite seal <small>large dust pollution</small>

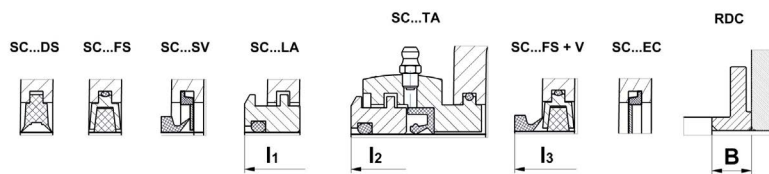
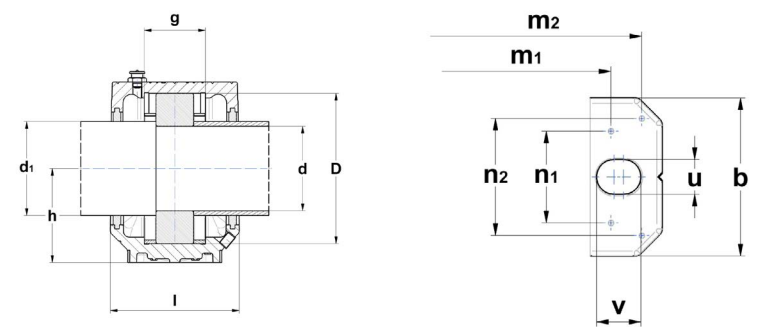
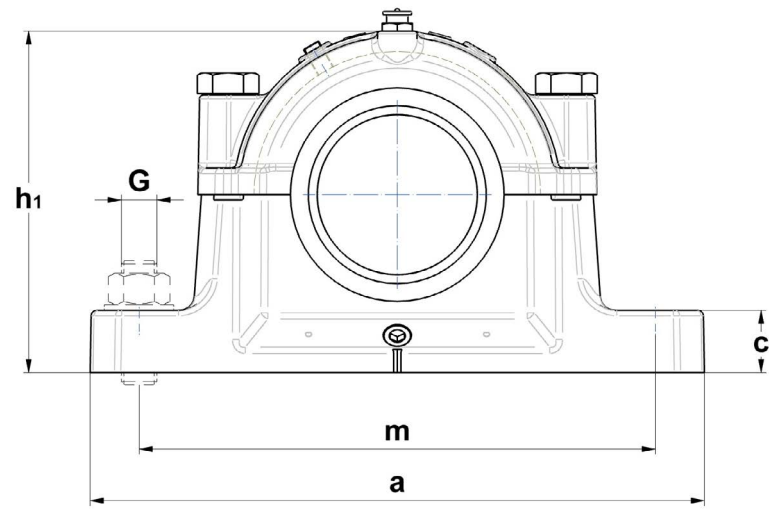
Seal Kits

SC..DS	Double-lip seal	1x double-lip seal (2-part)
SC..FS	Felt strip seal	1x retainer (2-part) 1x round cord (2-part) Felt strips (2-part)
SC..SV	V-ring seal	1x V-ring and 1x contact washer
SC..LA	Labyrinth seal	1x labyrinth ring and 1x round cord
SC..TA	Taconite seal	1x Taconite seal (multi –part; assembled)
SC..EC	End Cover	

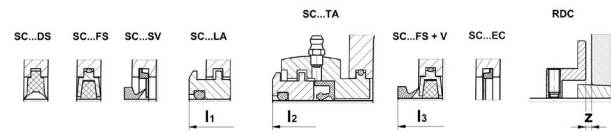
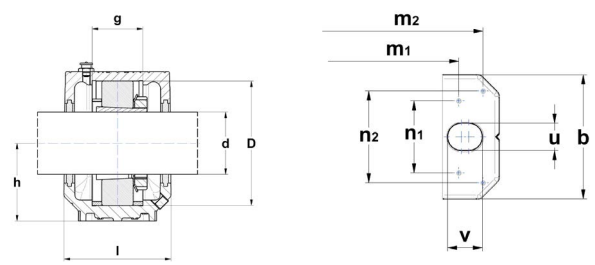
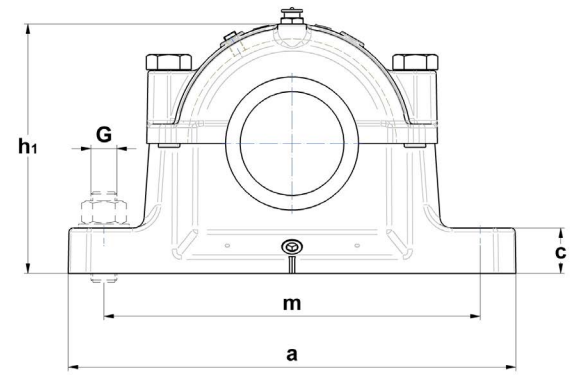
SNC 200

SNC 200 Dimesonal Data

Shaft Diameter <i>d</i>	Unit Type	Pillow Block Housing	Weight (lb/kg)	Base to Center <i>h</i>	Housing Length <i>a</i>	Housing Base Width <i>b</i>	Housing Height <i>h1</i>	Base Pad Height <i>c</i>	Bolt Holes		Bolt Hole Length <i>v</i>	Bolt Hole Width <i>u</i>	Set Bolts		Bearing	Fixing Ring (2)
									min <i>m1</i>	max <i>m2</i>			Size	Number		
25	SNC205	SNC205	1.6	40	165	46	74	19	116	152	20	15	M12	2	1205 2205 22205EAW33C3	FR52X5 FR52X3.5 FR52X3.5
30	SNC206	SNC206-305	2.3	50	185	52	89	22	130	172	20	15	M12	2	1206 2206 22206EAW33C3	FR62X8 FR62X6 FR62X6
35	SNC207	SNC207-306	2.4	50	185	52	93	22	135	172	20	15	M12	2	1207 2207 22207EAW33C3	FR72X8.5 FR72X5.5 FR72X5.5
40	SNC208	SNC208-307	3.2	60	205	60	107	25	160	188	20	15	M12	2	1208 2208 22208EAW33C3	FR80X10.5 FR80X8 FR80X8
45	SNC209	SNC209	3.2	60	205	60	110	25	160	188	20	15	M12	2	1209 2209 22209EAW33C3	FR85X5.5 FR85X3.5 FR85X3.5
50	SNC210	SNC210-308	3.4	60	205	60	113	25	160	188	20	15	M12	2	1210 2210 22210EAW33C3	FR90X10.5 FR90X9 FR90X9
55	SNC211	SNC211-309	5.1	70	255	70	127	28	200	234	24	18	M16	2	1211 2211 22211EAW33C3	FR100X11.5 FR100X9.5 FR100X9.5
30	SNC212	SNC212-310	5.4	70	255	70	133	30	200	234	24	18	M16	2	1212 2212 22212EAW33C3	FR110X13 FR110X10 FR110X10
65	SNC213	SNC213-311	7.0	80	275	80	148	30	220	252	24	18	M16	2	1213 2213 22213EAW33C3	FR120X14 FR120X10 FR120X10
70	SNC214	SNC214	7.6	80	275	80	154	30	220	252	23	18	M16	2	1214 2214 22214EAW33C3	FR125X10 FR125X6.5 FR125X6.5
75	SNC215	SNC215-312	7.0	80	280	80	155	30	220	257	24	18	M16	2	1215 2215 22215EAW33C3	FR130X15.5 FR130X12.5 FR130X12.5
80	SNC216	SNC216-313	9.5	95	315	90	175	32	252	288	28	22	M20	2	1216 2216 22216EAW33C3	FR140X16 FR140X12.5 FR140X12.5
85	SNC217	SNC217-314	9.8	95	320	90	183	32	252	292	28	22	M20	2	1217 2217 22217EAW33C3	FR150X16.5 FR150X12.5 FR150X12.5
90	SNC218	SNC218-315	12.4	100	345	100	192	35	280	319	28	22	M20	2	1218 2218 22218EAW33C3	FR160X17.5 FR160X12.5 FR160X12.5
95	SNC219	SNC519-616	15.6	112	345	100	212	35	280	317	28	22	M20	2	1219 2219 22219EAW33C3	FR170X18 FR170X12.5 FR170X12.5
100	SNC220	SNC520-617	18.4	112	380	110	215	40	300	348	32	26	M24	2	1220 2220 22220EAW33C3	FR180X18 FR180X12 FR180X12
110	SNC222	SNC522-619	24.7	125	410	120	242	45	320	378	32	26	M24	2	1222 2222 22222EAW33C3	FR200X21 FR200X13.5 FR200X13.5
120	SNC224	SNC524-620	30.0	140	410	120	271	45	330	378	32	26	M24	2	22224EAW33C3 23224EAW33C3	FR215X14 FR215X5
130	SNC226	SNC226-526	36.6	150	445	130	290	50	370	414	35	28	M24	2	22226EAW33C3 23226EAW33C3	FR230X13 FR230X5
140	SNC228	SNC228-528	42.5	150	50	150	302	50	400	458	42	35	M30	2	22228EAW33C3 23228EAW33C3	FR250X15 FR250X5
150	SNC230	SNC230-530	55.2	160	530	160	323	60	430	486	42	35	M30	2	22230EAW33C3 23230EAW33C3	FR270X16.5 FR270X5
160	SNC232	SNC232-532	63.0	170	550	160	34	60	450	506	42	35	M30	2	22232EAW33C3 23232EAW33C3	FR290X17 FR290X5



SNC 500



Shaft Diameter <i>d</i>	Unit Type	Pillow Block Housing	Weight lb/kg	Base to Center <i>h</i>	Housing Length <i>a</i>		Housing Base Width <i>b</i>	Housing Height <i>h1</i>	Base Pad Height <i>c</i>	Bolt Holes		Bolt Hole Length <i>v</i>	Bolt Hole Width <i>u</i>	Set Bolts		Bearing	Adapter Assembly	Fixing Ring (2)
										min <i>m1</i>	max <i>m2</i>			Size	Number			
20	SNC505	SNC505	1.6	40	165		46	74	19	116	152	20	15	M12	2	1205K 2205K 22205EAKW33C3	H205 H305 H305	FR52X5 FR52X3.5 FR52X3.5
25	SNC506	SNC506-605	2.3	50	185		52	89	22	130	172	20	15	M12	2	1206K 2206K 22206EAKW33C3	H206 H306 H306	FR62X8 FR62X6 FR62X6
30	SNC507	SNC507-606	2.4	50	185		52	93	22	135	172	20	15	M12	2	1207K 2207K 22207EAKW33C3	H207 H307 H307	FR72X8.5 FR72X5.5 FR72X5.5
35	SNC508	SNC508-607	3.2	60	205		60	107	25	160	188	20	15	M12	2	1208K 2208K 22208EAKW33C3	H208 H308 H308	FR80X10.5 FR80X8 FR80X8
40	SNC509	SNC509	3.2	60	205		60	110	25	160	188	20	15	M12	2	1209K 2209K 22209EAKW33C3	H209 H309 H309	FR85X5.5 FR85X3.5 FR85X3.5
45	SNC510	SNC510-608	3.4	60	205		60	113	25	160	188	20	15	M12	2	1210K 2210K 22210EAKW33C3	H210 H310 H310	FR90X10.5 FR90X9 FR90X9
50	SNC511	SNC511-609	5.1	70	255		70	127	28	200	234	24	18	M16	2	1211K 2211K 22211EAKW33C3	H211 H311 H311	FR100X11.5 FR100X9.5 FR100X9.5
55	SNC512	SNC512-610	5.4	70	255		70	133	30	20	234	24	18	M16	2	1212K 2212K 22212EAKW33C3	H212 H312 H312	FR110X13 FR110X10 FR110X10
60	SNC513	SNC513-611	7.0	80	275		80	148	30	22	252	24	18	M16	2	1213K 2213K 22213EAKW33C3	H213 H313 H313	FR120X14 FR120X10 FR120X10
65	SNC515	SNC515-612	7.3	80	280		80	155	30	220	257	24	18	M16	2	1215K 2215K 22215EAKW33C3	H215 H315 H315	FR130X15.5 FR130X12.5 FR130X12.5
70	SNC516	SNC516-613	10.4	95	315		90	175	32	252	288	28	22	M20	2	1216K 2216K 22216EAKW33C3	H216 H316 H316	FR140X16 FR140X12.5 FR140X12.5
75	SNC517	SNC517	10.2	95	320		90	183	32	252	292	28	22	M20	2	1217K 2217K 22217EAKW33C3	H217 H317 H317	FR150X16.5 FR150X12.5 FR150X12.5
80	SNC518	SNC518-615	13.5	100	345		100	192	35	280	319	28	22	M20	2	1218K 2218K 22218EAKW33C3	H218 H318 H318	FR160X17.5 FR160X12.5 FR160X12.5
85	SNC519	SNC519-616	15.6	112	345		100	212	35	280	317	28	22	M20	2	1219K 2219K 22219EAKW33C3	H219 H319 H319	FR170X18 FR170X12.5 FR170X12.5
90	SNC520	SNC520-617	18.4	112	380		110	215	40	300	348	32	26	M24	2	1220K 2220K 22220EAKW33C3	H220 H320 H320	FR180X18 FR180X12 FR180X12
100	SNC522	SNC522-619	24.7	125	410		120	242	45	320	378	32	26	M24	2	1222K 2222K 22222EAKW33C3	H222 H322 H322	FR200X21 FR200X13.5 FR200X13.5
110	SNC524	SNC524-620	30.0	140	410		120	271	45	330	378	32	26	M24	2	22224EAKW33C3 23224EAKW33C3	H3124 H2324	FR215X14 FR215X5
115	SNC526	SNC226-526	36.6	150	445		130	290	50	370	414	35	28	M24	2	22226EAKW33C3 23226EAKW33C3	H3126 H2326	FR230X13 FR230X5
125	SNC528	SNC228-528	42.6	150	50		150	302	50	400	458	42	35	M30	2	22228EAKW33C3 23228EAKW33C3	H3128 H2328	FR250X15 FR250X5
135	SNC530	SNC230-530	55.2	160	530		160	323	60	430	486	42	35	M30	2	22230EAKW33C3 23230EAKW33C3	H3130 H2330	FR270X16.5 FR270X5
140	SNC532	SNC232-532	63.0	170	550		160	34	60	450	506	42	35	M30	2	22232EAKW33C3 23232EAKW33C3	H3132 H2332	FR290X17 FR290X5

Interchange Guide

22200 Series Cylindrical Spherical Roller Bearing Interchange									
Bore Size	NTN	NTN Housing	SKF	SKF Housing		TIMKEN	TIMKEN Housing	FAG	FAG Housing
25	SNC 205	SNC 205	SNL 205	SNL 205		SNT 205	SNT 205	SES 205	SES 205
30	SNC 206	SNC 206-305	SNL 206	SNL 206-305		SNT 206	SNT 206-305	SES 206	SES 206-305
35	SNC 207	SNC207-306	SNL 207	SNL207		SNT 207	SNT 207	SES 207	SES207-306
40	SNC 208	SNC208-307	SNL 208	SNL208-307		SNT 208	SNT 208-307	SES 208	SES208-307
45	SNC 209	SNC 209	SNL 209	SNL 209		SNT 209	SNT 209	SES 209	SES 209
50	SNC 210	SNC 210-308	SNL 210	SNL 210		SNT 210	SNT 210	SES 210	SES 210-308
55	SNC 211	SNC 211-311	SNL 211	SNL 211		SNT 211	SNT 211	SES 211	SES 211-311
60	SNC 212	SNC 212-310	SNL 212	SNL 212		SNT 212	SNT 212	SES 212	SES 212-310
65	SNC 213	SNC 213-311	SNL 213	SNL 213		SNT 213	SNT 213	SES 213	SES 213-311
70	SNC 214	SNC 215-312	N/A	N/A		N/A	N/A	SES 214	SES 215-312
75	SNC 215	SNC 216-313	SNL 215	SNL 215		SNT 215	SNT 215	SES 215	SES 216-313
80	SNC 216	SNC 217-314	SNL 216	SNL 216		SNT 216	SNT 216	SES 216	SES 217-314
85	SNC 217	SNC 218-315	SNL 217	SNL 217		SNT 217	SNT 217	SES 217	SES 218-315
90	SNC 218	SNC 218-315	SNL 218	SNL 218		SNT 218	SNT 218	N/A	N/A
95	SNC 219	SNC 519-616	N/A	N/A		N/A	N/A	N/A	N/A
100	SNC 220	SNC 520-617	SNL 220	SNL 520-617		SNT 220	SNT520-617	N/A	N/A
110	SNC 222	SNC 522-619	SNL 222	SNL 522-619		SNT 222	SNT522-619	N/A	N/A
120	SNC 224	SNC 524-620	SNL 224	SNL 524-620		SNT 224	SNT524-620	N/A	N/A
130	SNC 226	SNC 226-526	SNL 226	SNL 526		SNT 226	SNT526	N/A	N/A
140	SNC 228	SNC 228-528	SNL 228	SNL 528		SNT 228	SNT528	N/A	N/A
150	SNC230	SNC230-530	SNL230	SNL 530		SNT230	SNT530	N/A	N/A
160	SNC 232	SNC232-532	SNL 232	SNL 532		SNT 232	SNT532	N/A	N/A

Interchange Guide

22200 Series Tapered (K) Spherical Roller Bearing Interchange											
Bore Size	NTN	NTN Housing	SKF	SKF Housing		NSK	NSK Housing	TIMKEN	TIMKEN Housing	FAG	FAG Housing
20	SNC 505	SNC 505	SNL 505	SNL 505		SNN 505	SNN 505	SNT 505	SNT 505	SES 505	SES 505
25	SNC 506	SNC 506-605	SNL 506	SNL 506-605		SNN 506	SNN 506-605	SNT 506	SNT 506-605	SES 506	SES 506-605
30	SNC 507	SNC 507-606	SNL 507	SNL 507-606		SNN 507	SNN 507-606	SNT 507	SNT 507-606	SES 507	SES 507-606
35	SNC 508	SNC 508-607	SNL 508	SNL 508-607		SNN 508	SNN 508-607	SNT 508	SNT 508-607	SES 508	SES 508-607
40	SNC 509	SNC 509	SNL 509	SNL 509		SNN 509	SNN 509	SNT 509	SNT 509	SES 509	SES 509
45	SNC 510	SNC 510-608	SNL 510	SNL 510-608		SNN 510	SNN 510-608	SNT 510	SNT 510-608	SES 510	SES 510-608
50	SNC 511	SNC 511-609	SNL 511	SNL 511-609		SNN 511	SNN 511-609	SNT 511	SNT 511-609	SES 511	SES 511-609
55	SNC 512	SNC 512-610	SNL 512	SNL 512-610		SNN 512	SNN 512-610	SNT 512	SNT 512-610	SES 512	SES 512-610
60	SNC 513	SNC 513-611	SNL 513	SNL 513-611		SNN 513	SNN 513-611	SNT 513	SNT 513-611	SES 513	SES 513-611
65	SNC 515	SNC 515-612	SNL 515	SNL 515-612		SNN 515	SNN 515-612	SNT 515	SNT 515-612	SES 515	SES 515-612
70	SNC 516	SNC 516-613	SNL 516	SNL 516-613		SNN 516	SNN 516-613	SNT 516	SNT 516-613	SES 516	SES 516-613
75	SNC 517	SNC 517	SNL 517	SNL 517		SNN 517	SNN 517	SNT 517	SNT 517	SES 517	SES 517
80	SNC 518	SNC 518-615	SNL 518	SNL 518-615		SNN 518	SNN 518-615	SNT 518	SNT 518-615	SES 518	SES 518-615
85	SNC 519	SNC519-616	SNL 519	SNL519-616		SNN 519	SNN519-616	SNT 519	SNT519-616	SES 519	SES519-616
90	SNC 520	SNC 520-617	SNL 520	SNL 520-617		SNN 520	SNN 520-617	SNT 520	SNT 520-617	SES 520	SES 520-617
100	SNC 522	SNC 522-619	SNL 522	SNL 522-619		SNN 522	SNN 522-619	SNT 522	SNT 522-619	SES 522	SES 522-619
110	SNC 524	SNC 524-620	SNL 524	SNL 524-620		SNN 524	SNN 524-620	SNT 524	SNT 524-620	SES 524	SES 524-620
115	SNC 226	SNC 226-526	SNL 226	SNL 526		SNN 526	SNN 526	SNT 526	SNT 526	SES 526	SES 526
125	SNC 228	SNC 228-528	SNL 228	SNL 528		SNN 528	SNN 528	SNT 528	SNT 528	SES 528	SES 528
135	SNC530	SNC230-530	SNL530	SNL 530		SNN530	SNN 530	SNT530	SNT 530	SES530	SES 530
140	SNC 532	SNC232-532	SNL 532	SNL 532		SNN 532	SNN 532	SNT 532	SNT 532	SES 532	SES 532



Since 1918, NTN has been a trusted OE manufacturer of high-performing bearing products that increase companies' productivity and efficiency.

- NTN has been the world's broad-line bearing manufacturer for nearly 100 years.
- NTN has the largest bearing manufacturing footprint in the United States.
- NTN is the largest supplier of American-made products to the construction and mining industries.
- NTN is a major supplier to over two-thirds of the world's "Fortune 500" manufacturing companies.
- More cars worldwide ride on NTN bearings and drivetrains than any other manufacturer's product.



- ◀ NTN was the first bearing manufacturer to be awarded the prestigious Deming Prize for recognition of its quality products and systems.

Beyond Bearings

Training. Installation Support.
Trouble-shooting. And more.

When you choose NTN, your team is equipped with all the necessary tools and resources to get the job done right. From installation to problem-solving, we'll be there with the hands-on support you need to take on your toughest challenges. This includes extra services such as:



Technical Training Unit

On-site, mobile training unit offering specialized, hands-on instruction from NTN engineers



Product Training School

Three days of in-depth instruction from NTN engineers at NTN headquarters
(go.ntnamericas.com/trainingschool)



eKnowledge

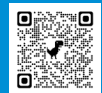
WEB-BASED TRAINING PROGRAM

Six online product training modules covering different bearing types and nomenclature
(www.ntnamericas.com/eknowledge)



NTN Bearing Finder

Customizable search tool featuring exhaustive data sets, comprehensive part interchanges and interactive CAD drawings
(bearingfinder.ntnamericas.com)



Sign Up for NTN Insider

A monthly email from various NTN experts with tech tips, product information, and special announcements
(ntnamericas.com/ntn-insider)



Ready to get rolling? Contact us today for full details at
1-800-323-2358 or eng@ntnamericas.com.

NTN®

NTN BEARING CORPORATION OF AMERICA • 1600 E. Bishop Court • Mount Prospect, IL 60056-7604, U.S.A.

Tel: 847-298-7500 • Fax: 847-294-1205 • www.ntnamericas.com

NTN is a registered trademark of NTN Corporation. Osaka, Japan